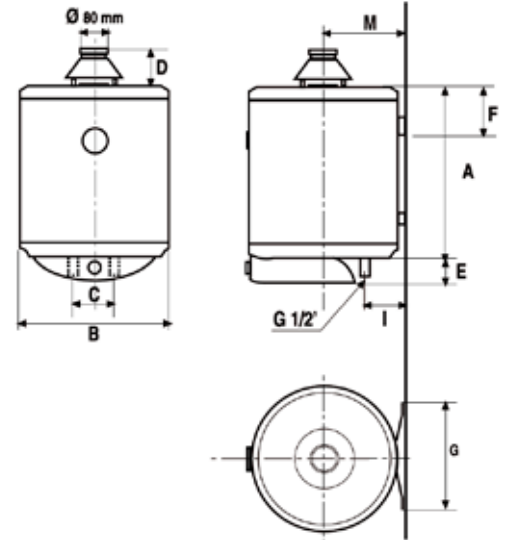


GAVP

80/100/120



Models	A mm	B mm	C mm	D mm	E mm	F mm	G mm	I mm	M mm
GAVP 80	706	480	100	120	75	150	360	80	243
GAVP 100	795	480	100	120	75	150	360	80	243
GAVP 120	975	480	100	120	75	150	360	80	243

COMBUSTION RATE

Technical Characteristic

Type B11 bs

II2H3+

Maximum Water Pressure 6 bar

TYPE GAS BURNER (mmx100)

G20 pn20 mbar

G30-31 pn 28-30/37 mba

Nominal Flow

Usable Flow

Models	Methane G20 m ³ /h	Butane G30 g/h	Propane G31 g/h	G20 pn20 mbar		G30-31 pn 28-30/37 mba		Kw	Kw	Profile	Energy Class
				Main Burner	Main Burner	Main Burner	Pilot				
GAVP 80	0,58	425	422	2	0,4	1,15	0,21	5,3	4,8	S	C
GAVP 100	0,58	425	422	2	0,4	1,15	0,21	5,3	4,8	S	C
GAVP 120	0,58	425	422	2	0,4	1,15	0,21	5,6	5,0	L	C